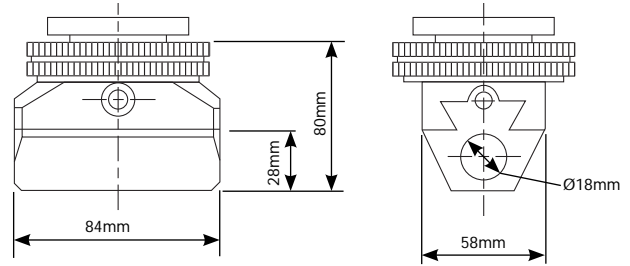


BORING AND FACING HEAD SET - VBHU (No Arbor)



VBHU
c/w box and accessories



cutting range from Ø5mm to Ø250mm

SPECIFICATIONS						
ORDER CODE	ACTUAL SIZE	OVERING BAR HOLE SIZE	BORING BAR HOLE SIZE	CENTRE DISTANCE BETWEEN HOLES	CROSS HOLE DIAMETER	OFFSET
VBHU	84mm	100mm	18mm	23mm	18mm	15mm

ARBORS TO SUIT VBHU BORING & FACING HEAD



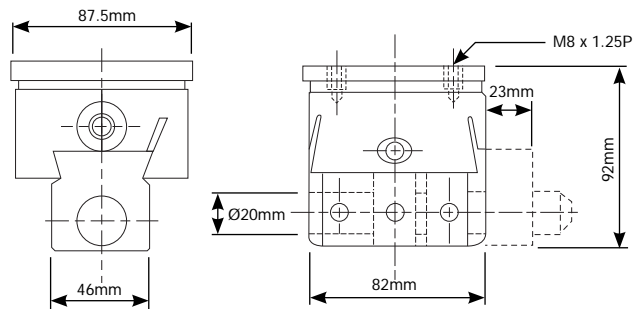
VBHU2071

ORDER CODE	SHANK	DESCRIPTION	DRAWBAR THREAD
VBHU202M	MT3	Boring and Facing Head Arbor	M12
VBHU203M	MT4	Boring and Facing Head Arbor	M16
VBHU205	R8	Boring and Facing Head Arbor	7/16" x 20UNF
VBHU206I	NT30	Boring and Facing Head Arbor	1/2" x 12W
VBHU206M	NT30	Boring and Facing Head Arbor	M12
VBHU207I	NT40	Boring and Facing Head Arbor	5/8" x 11W
VBHU207M	NT40	Boring and Facing Head Arbor	M16
VBHU208I	NT50	Boring and Facing Head Arbor	1" x 8W
VBHU208M	NT50	Boring and Facing Head Arbor	M24
VBHU209	BT40	Boring and Facing Head Arbor	M16
VBHU213	BT50	Boring and Facing Head Arbor	M24

BORING HEAD SET - VBH (No Arbor)



VBH
c/w case and accessories



cutting range from Ø10mm to Ø240mm

SPECIFICATIONS		
ORDER CODE	ACTUAL SIZE	BORING BAR HOLE SIZE
VBH	82mm	20mm

FACE MILL ARBORS



VF126I



VF112M



VF135

FACE MILL ARBORS - SIDE LOCK

ORDER CODE	DESCRIPTION
NT40	
VF104I	Arbor NT40 x 1" (5/8" x 11)
VF104M	Arbor NT40 x 1" (M16)
VF105I	Arbor NT40 x 1 1/4" (5/8" x 11)
VF105M	Arbor NT40 x 1 1/4" (M16)
VF106I	Arbor NT40 x 1 1/2" (5/8" x 11)
VF106M	Arbor NT40 x 1 1/2" (M16)
VF107I	Arbor NT40 x 2" (5/8" x 11)
VF107M	Arbor NT40 x 2" (M16)
VF123I	Arbor NT40 x 22mm (5/8" x 11)
VF123M	Arbor NT40 x 22mm (M16)
VF124I	Arbor NT40 x 27mm (5/8" x 11)
VF124M	Arbor NT40 x 27mm (M16)
VF125I	Arbor NT40 x 32mm (5/8" x 11)
VF125M	Arbor NT40 x 32mm (M16)
VF126I	Arbor NT40 x 40mm (5/8" x 11)
VF126M	Arbor NT40 x 40mm (M16)
NT50	
VF109I	Arbor NT50 x 1" (1" x 8)
VF109M	Arbor NT50 x 1" (M24)
VF110I	Arbor NT50 x 1 1/4" (1" x 8)
VF110M	Arbor NT50 x 1 1/4" (M24)
VF111I	Arbor NT50 x 1 1/2" (1" x 8)
VF111M	Arbor NT50 x 1 1/2" (M24)
VF112I	Arbor NT50 x 2" (1" x 8)
VF112M	Arbor NT50 x 2" (M24)
VF128I	Arbor NT50 x 22mm (1" x 8)
VF128M	Arbor NT50 x 22mm (M24)
VF129I	Arbor NT50 x 27mm (1" x 8)
VF129M	Arbor NT50 x 27mm (M24)
VF130I	Arbor NT50 x 32mm (1" x 8)
VF130M	Arbor NT50 x 32mm (M24)
VF131I	Arbor NT50 x 40mm (1" x 8)
VF131M	Arbor NT50 x 40mm (M24)
R8	
VF114	Arbor R8 x 1"
VF115	Arbor R8 x 1 1/4"
VF134	Arbor R8 x 22mm
VF135	Arbor R8 x 27mm
VF135A	Arbor R8 x 32mm

SIDE LOCK HOLDERS



VN104M

ORDER CODE	DESCRIPTION
NT30	
VN104I	Side Lock NT30 X 25mm (1/2" x 12)
VN104M	Side Lock NT30 X 25mm (M12)
NT40	
VN107M	Side Lock NT40 X 20mm (M16)
VN108I	Side Lock NT40 X 25mm (5/8" x 11)
VN108M	Side Lock NT40 X 25mm (M16)
VN109I	Side Lock NT40 X 32mm (5/8" x 11)
VN109M	Side Lock NT40 X 32mm (M16)

ARBORS TO SUIT VBH BORING HEAD



VBH109



VBH104M

ORDER CODE	SHANK	DESCRIPTION	DRAWBAR THREAD
VBH102M	MT3	Boring Head Arbor	M12
VBH103M	MT4	Boring Head Arbor	M16
VBH104M	MT5	Boring Head Arbor	M24
VBH105	R8	Boring Head Arbor	7/16" x 20UNF
VBH106I	NT30	Boring Head Arbor	1/2" x 12W
VBH106M	NT30	Boring Head Arbor	M12
VBH107I	NT40	Boring Head Arbor	5/8 x 11W
VBH107M	NT40	Boring Head Arbor	M16
VBH108I	NT50	Boring Head Arbor	1" x 8W
VBH108M	NT50	Boring Head Arbor	M24
VBH109	BT40	Boring Head Arbor	M16
VBH110	BT50	Boring Head Arbor	M24

BORING HEAD - VBC



cutting range from Ø10mm to Ø100mm

ORDER CODE	DESCRIPTION	OUTSIDE Ø	BORING BAR SIZE	CTR DIST BETWEEN HOLES	MAX OFFSET
VBC2I	2" Boring Head IMP	2"mm	1/2"	5/8"	5/8"
VBC2M	50mm Boring Head MET	50mm	12mm	15mm	15mm

cutting range from Ø10mm to Ø220mm

ORDER CODE	DESCRIPTION	OUTSIDE Ø	BORING BAR SIZE	CTR DIST BETWEEN HOLES	MAX OFFSET
VBC3I	3" Boring Head IMP	3"	3/4"	15/16"	1"
VBC3M	75mm Boring Head MET	75mm	18mm	23mm	25mm

cutting range from Ø10mm to Ø250mm

ORDER CODE	DESCRIPTION	OUTSIDE Ø	BORING BAR SIZE	CTR DIST BETWEEN HOLES	MAX OFFSET
VBC4I	4" Boring Head IMP	4"	1"	1 1/4"	1"
VBC4M	100mm Boring Head MET	100mm	25mm	32mm	25mm

ARBORS TO SUIT VBC BORING HEAD



VBCNT40M

ORDER CODE	SHANK	DESCRIPTION	DRAWBAR THREAD
VBCMT3	MT3	Boring Head Arbor IMP	1/2" x 12W
VBCMT4I	MT4	Boring Head Arbor IMP	5/8 x 11W
VBCMT4M	MT4	Boring Head Arbor MET	M16
VBCR8	R8	Boring Head Arbor	7/16" x 20UNF
VBCNT30I	NT30	Boring Head Arbor IMP	1/2" x 12W
VBCNT30M	NT30	Boring Head Arbor MET	M12
VBCNT40I	NT40	Boring Head Arbor IMP	5/8 x 11W
VBCNT40M	NT40	Boring Head Arbor MET	M16
VBCNT50I	NT50	Boring Head Arbor IMP	1" x 8W
VBCNT50M	NT50	Boring Head Arbor MET	M24
VBCBT40	BT40	Boring Head Arbor	M16
VBCBT50	BT50	Boring Head Arbor	M24

SIDE LOCK HOLDERS



VN121

ORDER CODE	DESCRIPTION
NT50	
VN113M	Side Lock NT50 X 20mm (M24)
VN114I	Side Lock NT50 X 25mm (1" x 8)
VN114M	Side Lock NT50 X 25mm (M24)
VN115I	Side Lock NT50 X 32mm (1" x 8)
VN115M	Side Lock NT50 X 32mm (M24)
R8	
VN121	Side Lock R8 x 20mm
VN122	Side Lock R8 x 25mm

MILLING ARBORS AND ADAPTORS



VJ106I



VJ109M

ORDER CODE	DESCRIPTION
MT3	
MAMT3XJ6	Milling Arbor MT3 x J6 (M12)
MAMT3XJ6I	Milling Arbor MT3 x J6 (1/2" x 12)
NT30	
VJ103I	Milling Arbor NT30 x J6 (1/2" x 12)
VJ103M	Milling Arbor NT30 x J6 (M12)
VJ111M	Milling Arbor NT30 x B16 (M12)
NT40	
VJ106I	Milling Arbor NT40 x J6 (5/8" x 11)
VJ106M	Milling Arbor NT40 x J6 (M16)
VJ112M	Milling Arbor NT40 x B16 (M16)
NT50	
VJ109I	Milling Arbor NT50 x J6 (1" x 8)
VJ109M	Milling Arbor NT50 x J6 (M24)
R8	
VJ123	Milling Arbor R8 x J6

MILLING SLEEVES



VI102M



VI105M

ORDER CODE	DESCRIPTION
NT30	
VI101I	Mill Sleeve NT30 x MT1 (1/2" x 12)
VI101M	Mill Sleeve NT30 x MT1 (M12)
VI102I	Mill Sleeve NT30 x MT2 (1/2" x 12)
VI102M	Mill Sleeve NT30 x MT2 (M12)
VI103I	Mill Sleeve NT30 x MT3 (1/2" x 12)
VI103M	Mill Sleeve NT30 x MT3 (M12)
NT40	
VI104I	Mill Sleeve NT40 x MT1 (5/8" x 11)
VI104M	Mill Sleeve NT40 x MT1 (M16)
VI105I	Mill Sleeve NT40 x MT2 (5/8" x 11)
VI105M	Mill Sleeve NT40 x MT2 (M16)
VI106I	Mill Sleeve NT40 x MT3 (5/8" x 11)
VI106M	Mill Sleeve NT40 x MT3 (M16)
VI107I	Mill Sleeve NT40 x MT4 (5/8" x 11)
VI107M	Mill Sleeve NT40 x MT4 (M16)