

“The Sky Hook Industrial Lifting Device has reduced our turbine engine removal time by 50%. It’s a big hit around here!”

-Mike Maul, Manufacturing Engineer, Elliott Microturbines



Attitude is Everything!

MODEL 8500 SERIES



- Designed to fit most quick-change tool holders
- Load limit 500 lbs. (227 kg)
- Weighs 23 lbs. (10.4 kg)
- Prevents lifting injuries
- Does the work of 4 people
- Meets O.S.H.A. requirements



Accessory 8500-00A Bolt Down Adapter shown above (Sold separately)

Model 8500 Series has multiple lifting applications when used with accessory bolt down adapter. (See chart below)

Model 8500 Series comes with a base designed for your specific tool holder. See the Model Selection Chart below for the correct model # for your needs.



Accessory 8520 Chuck Hook shown above (Sold separately)

Lifting Applications

Ideal for lifting chucks, vises and large pieces of material onto lathes, mills, benches and other equipment.

Model 8500 Series Selection Chart

Sky Hook Model #	Fits Tool Holder	Accessory Bolt Down Adapter (Sold separately)
8500-00	KDK 100, 150, 200, NIX	8500-00A
8500-01	Square Turret or 3/4" Tool Block	No Adapter
8500-02	CA Aloris, Dorian SD40CA, DTM TP100A, Phase II 400	8500-02-AS
8500-02A	BXA Aloris, Dorian SD30BXA, DTM TP75A, Phase II 200	8500-02A-AS
8500-03	CXA Aloris, Dorian SD35CXA, DTM TP90A, Phase II 300	8500-03-AS
8500-04	KDK 300	8500-04-AS
8500-05	DA Aloris, Dorian SD50DA	8500-05-AS

industry leader since 1969

SKY HOOK

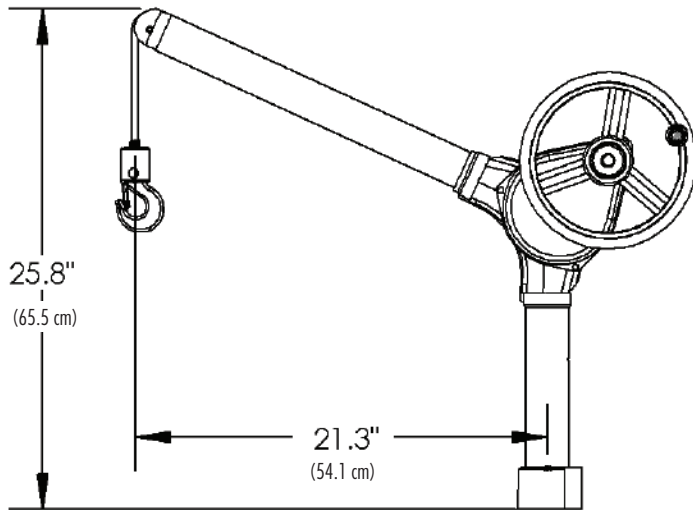
MODEL 8500 SERIES

The **Sky Hook Lifting Device Model 8500 Series** prevents back injuries and is ideal for lifting chucks, vises and large pieces of material onto lathes, mills, benches and other equipment. Weighing only 23 lbs, Sky Hook Model 8500 Series pivots 360° for precision positioning. Safe and simple to use, this model easily lifts up to 500 lbs. With a base designed for your specific tool holder, its one-handed operation does the work of four people in a single step.

Less expensive than a forklift, overhead crane, or chain hoist, Sky Hook Model 8500 Series is a safe lifting solution that answers almost any need. User friendly and adaptable, it makes the job of rotating and positioning a 500-lb. object turnkey.

Easily detached and carried to different locations, this practical, adaptable, labor-saving lifting device is ideal for all general applications. For specialty applications, custom units of Sky Hook Model 8500 Series are also available.

For more descriptive product info visit www.skyhookmfr.com



Specifications

- Load limit 500 lbs. (227 kg)
- Weighs 23 lbs. (10.4 kg)
- Pivots 360°
- 55" (139.7 cm) Length of lift
- Overall height of Sky Hook including base is 25.8" (65.5 cm)
- One rotation of hand wheel = approx. 1" (2.5 cm) of vertical lift
- Models to fit most quick change tool holders
- Easily detached and carried to different locations
- Constructed of high-strength steel



Features & Benefits

- Designed to fit most quick-change tool holders
- Prevents lifting injuries
- Uses one hand operation that does the work of 4 people
- Safely lift & position up to 500 lbs. (227 kg) with one person
- Rotates 360°
- Designed for precision positioning
- Operates in tight working conditions
- Is totally maintenance free
- Has removable boom for easy transport
- Has a limited manufacturer's warranty
- Meets applicable O.S.H.A. requirements

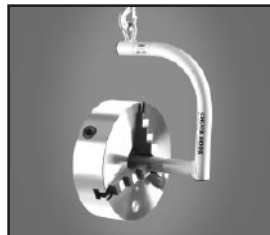
Accessories



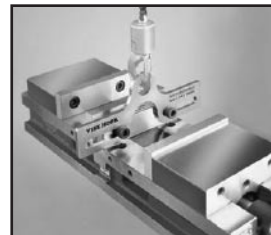
Bolt Down Adapter
(Model 8500-00A
shown above, See Model
Selection Chart on reverse)



**Choker Collar
Accessory**
Model 8507



**Chuck Hook
Accessory**
Model 8520



**Vise Hook
Accessory**
Model 8515



**Nylon Sling
Accessory**
Model 8510 Series



Attitude is Everything!

www.skyhookmfr.com

ATTCO, INC. DBA
SYCLONE ATTCO SERVICE
P.O. Box 458, Emmett, ID 83617

800-4SKYHOOK (800-475-9466)

Fax: 800-973-3355

E-mail: info@skyhookmfr.com