

Standard Machine With Advantage of

✓ **1. HEAD ASSEMBLY**

A choice of variable speed and 8 steps speed head. 2HP or 3HP motor for variable speed head. 16 speed spindle for step head are available.

✓ **2. RAM STRUCTURE**

Gibbed and double-locked RAM design ensuring rigidity and limited clearance between RAM and Adapter.

✓ **3. QUILL AND HOUSING**

The quill and housing are selectively fitted. It offers extreme high spindle accuracy.

✓ **4. SPINDLE UNIT**

A choice of R8 or NST30 Spindle both are hardened and precision ground.

✓ **5. DRIVES SYSTEM**

Phosphor Bronze double nuts driven on precision leadscrews and backlash are adjustable.

✓ **6. KNEE LOCKS**

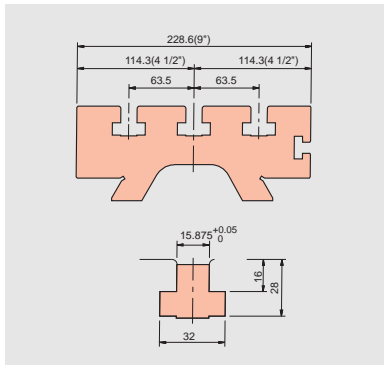
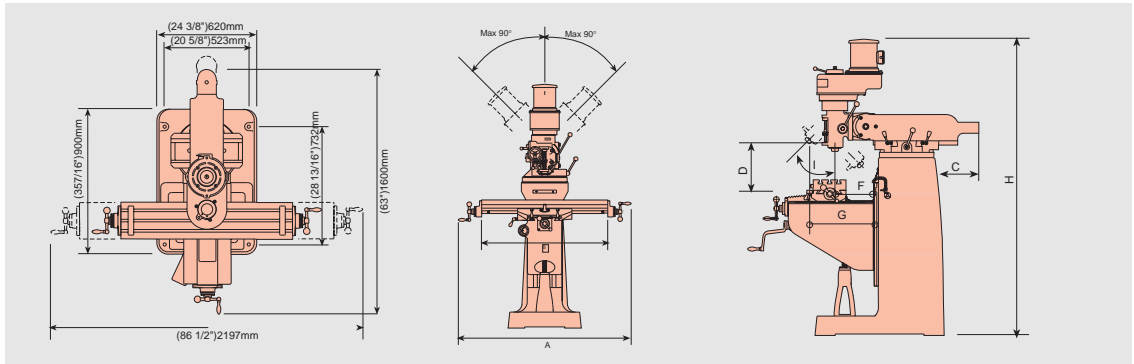
Double knee locks clamp the knee firmly and eliminates the lateral rocking motion.

✓ **7. LUBRICATION SYSTEM**

The simple and reliable one-shot lubrication used to lub. all slideways and leadscrews.



VS HEAD



STANDARD ACCESSORIES:

- TOOLS AND TOOL BOX
- RUBBER CHIP COVERS (FRONT AND REAR)
- ONE SHOT LUBRICATION

OPTIONAL ACCESSORIES:

- 2 SPEED MOTOR
- 100MM(4'') RISER BLOCK
- CHROME BEDWAY
- COOLANT SYSTEM
- COOLANT TRAY
- SERVO POWER FEED
- I270X230mm (50"x9'') WORKING TABLE

SPECIFICATION	LC-I/2vs	LC-I/2TM
A		1467mm (57.76")
B		1067mm (42")
C		0-305mm (0-12")
G		222-527mm (8.75"-20.75")
H	2100 (84.63')	2000MM (78.75')
TABLE		
Working surface	1067x230mm (42"x9'') / 1270mm (50'') OP	
Longitudinal travel	762mm (30'') / 966mm(38'') OP	
Cross travel	305mm (12'')	
Vertical travel (knee)	406mm (16'')	
MOTOR		
Vertical spindle	2HP 3PH (3HP OPTION)	2HP 3PH (2 SPEEDS OPTION)
WEIGHT (APPROX)		
1010KG (222lbs)		
VERTICAL MAIN SPINDLE		
Spindle speeds	50HZ	50-3750rpm (variable)60-2280rpm (8 steps)
60HZ	60-4500rpm (variable)	80-2760rpm (8 steps)
Spindle taper	R8 or NST 30	
Quill travel	127mm (5'')	
Vertical feeds (per revolution of spindle)	0.04,0.08,0.16mm (0.0015",0.003",0.006")	
Head swivel	(R&L) 90°,(F&B)+45°,-38°	(R&L) 90°,(F&B) 45°
Overarm travel	305mm (12'')	
Overarm swivel	360°	
Spindle nose to table	0-469mm (0-18.5'')	
Spindle centerline to column surface	171-476mm (6.75"-18.75'')	

*Specifications are subject to change without notice.



LONG CHANG MACHINERY CO., LTD.

NO.52, CHARN AN EAST ROAD, TAIPING, TAICHUNG, TAIWAN, R.O.C.
TEL: 886-4-23921001 FAX: 886-4-23921037

<http://www.first.com.tw> E-mail: info@first.com.tw

Distributed by: